

**MADE IN  
GERMANY**  
SEIT 1888



**SIMPLE INSTALLATION.  
STOP ODORS.  
DONE. ✓**

## **A CLEAN SOLUTION – THE SIPHON TRAP BY GRÖMO**

Bad smells from the sewage system or even rodents in the downspout? This will soon be a thing of the past thanks to the clever solution from Grömo. How does it work? It's very simple: The sophisticated spring technology makes it possible: In the event of rain, the cover flaps opens and then snaps immediately shut. A system which stops rodents from getting to the roof as well the escape of unpleasant odors.

The siphon trap is made of stainless steel and can be covered with copper, zinc or pre-weathered zinc. Its diameter is 100 mm.

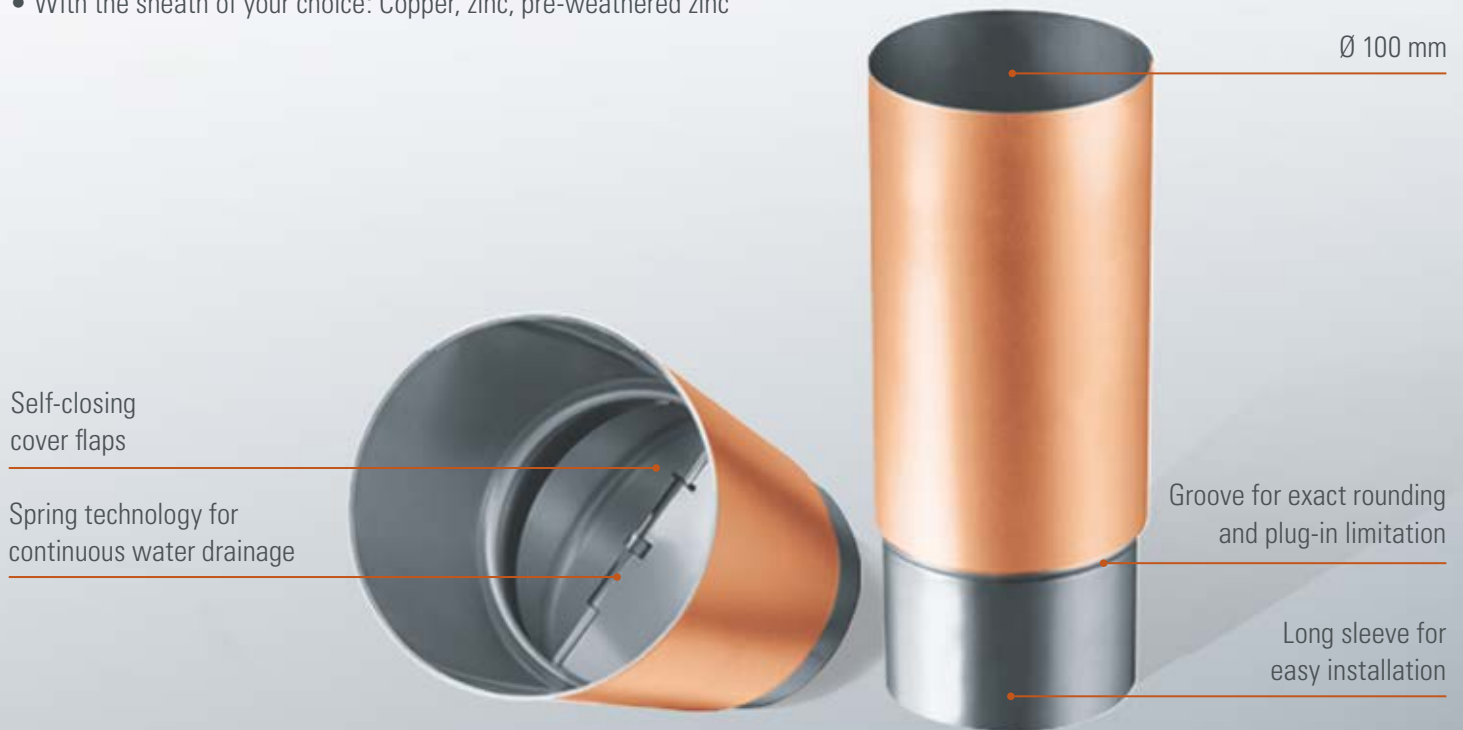


★ SENDS RAIN DOWN THE DRAIN

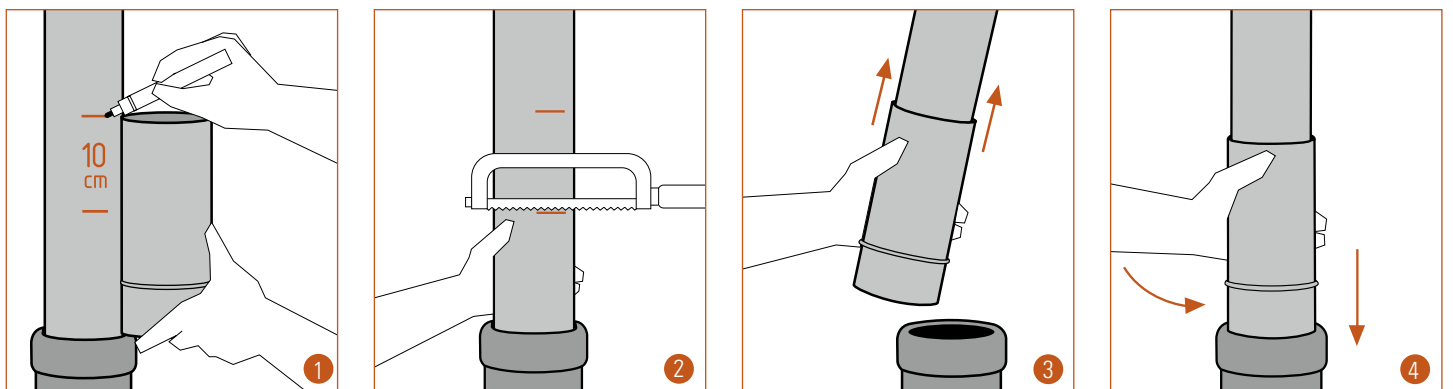
# GRÖMO BENEFITS AT A GLANCE:

ITEM NO. 09981

- Easy use in application
- Odor-proof and rodent-safe
- Completely made of 1.4301 stainless steel
- With the sheath of your choice: Copper, zinc, pre-weathered zinc



## INSTALLATION INSTRUCTIONS



- 1 Simply mark downspout at the height of the siphon trap, mark again 10 cm below.
- 2 Cut the pipe at the bottom mark. While doing this, hold the pipe piece firmly to avoid its slipping into the stand pipe and then remove.
- 3 Slide the siphon trap over the downspout which is bent to the side.
- 4 Swivel downspout back again and push the siphon trap in up to the end stop groove in the stand pipe.